

Cod. 004121212

VRLA BATTERY AGM TECHNOLOGY

Revision 4.0

Specifications

Nominal Voltage (V) 12V

Nominal Capacity

20 hour rate	(0.6A to 10.50V)	12Ah
10 hour rate	(1.14A to 10.50V)	11.4Ah
5 hour rate	(2.04A to 10.20V)	10.2Ah
1 C	(12A to 9.60V)	6.8Ah
3 C	(36A to 9.60V)	4.8Ah

Weight Approx. 4.1kg (9.02 Lbs.)

Internal Resistance (at 1KHz) Approx. 13 mΩ

Maximum Discharge Current for

5 seconds: 180A

Charging Methods at 25°C (77°F)

Cycle use:

Charging Voltage 14.4 to 15.0V

Coefficient -5.0mv/°C/cell

Maximum Charging Current: 3.6A

Standby use:

Float Charging Voltage 13.50 to 13.80V

Coefficient -3.0mv/°C/cell

Operating Temperature Range

Charge -15°C (5°F) to 40 °C (104°F)

Discharge -15°C (5°F) to 50 °C (122°F)

Storage -15°C (5°F) to 40 °C (104°F)

Charge Retention (shelf life) at 20°C (68°F)

1 month	92%
3 month	90%
6 month	80%

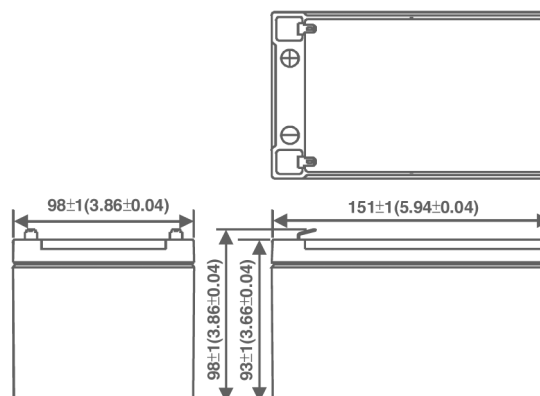
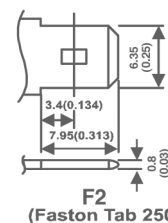
Case Material ABS UL94HB

(Option: ABS UL94 V-0 flame retardant)

Terminal F2 (Faston)

ENERGY *Cyclic*
SAFE

Dimensions mm (inch)



Dimensions: mm. 151 x 98 x 98 H

Cycle Service Life

