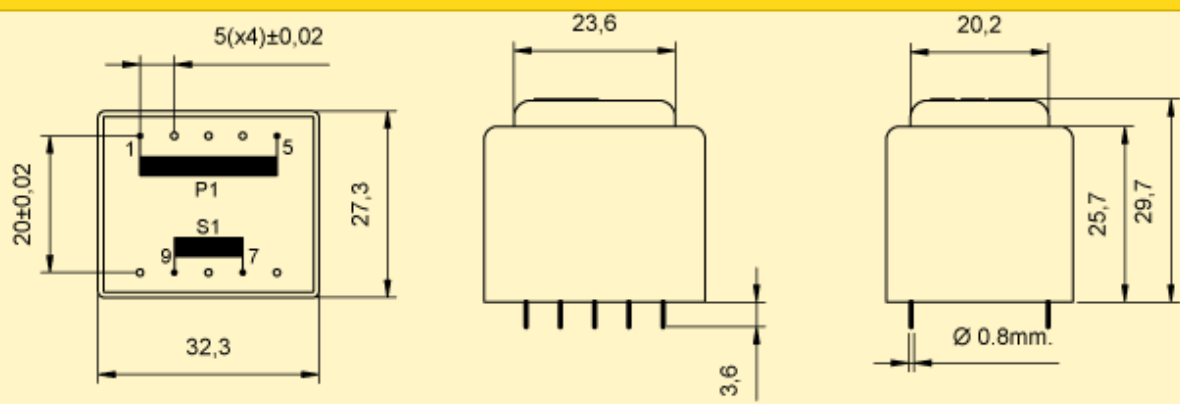


HR Ref.	Primary		Sec.		Sec. In		V _o (I _n =0)	Sec. Prot.
	P1	P2	S1	S2	Is1	Is2		CC (*)
E3018064	230 V	-	4.5 V	-	511.0 mA	-	7.6 V	CC
E3018050	230 V	-	6.0 V	-	383.0 mA	-	10.2 V	CC
E3018052	230 V	-	7.5 V	-	307.0 mA	-	12.7 V	CC
E3018054	230 V	-	9.0 V	-	256.0 mA	-	15.3 V	CC
E3018056	230 V	-	12.0 V	-	192.0 mA	-	20.4 V	CC
E3018058	230 V	-	15.0 V	-	153.0 mA	-	25.5 V	CC
E3018060	230 V	-	18.0 V	-	128.0 mA	-	30.6 V	CC
E3018062	230 V	-	24.0 V	-	96.0 mA	-	40.8 V	CC

(*) CC means short-circuit proof



Technical characteristics:

- Designed and manufactured according regulations EN61558 EN60590 EN60472 UL506 UL1585
- Two-chamber coil
- Vacuum sealed
- Safety transformer class II / Protection index IP00 (For all models with no load voltage lower than 50V according to EN61558, and to 30V according to UL1585)
- Short-circuit-protected
- Self-extinguishing plastic UL94-VO
- Epoxy resin class F
- Isolation: Prim./Sec. = 10 MOhm to 500 Vcc - Sec./Sec. = 2 MOhm to 500 Vcc
- Dielectric strength Prim. / Sec. = 5 kV / 1min.
- Secondary voltage tolerances 5%
- Test at 100% of all electrical parameters in production
- Reliability tests for production batch (life term)
- Certificates of production test results (under request)
- Certifications VDE, UL (E346974); others certifications under request: CSA, SEMKO