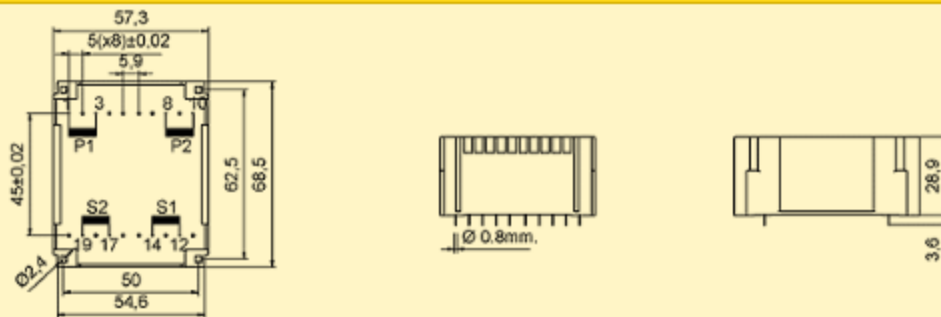
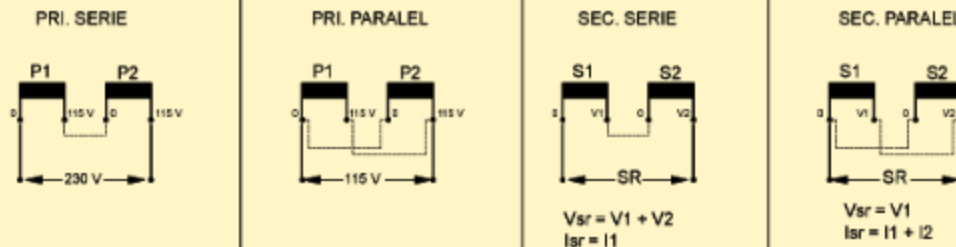


HR Ref.	Primary		Sec.		Sec. In		V <sub>o</sub> (I <sub>n</sub> =0)	External protection Fuse	
	P1	P2	S1	S2	I <sub>s1</sub>	I <sub>s2</sub>		Sec. (F) S1 S2	Prim. (T) 115 230
U3914007	115 V	115 V	4.5 V	4.5 V	2000.0 mA	2000.0 mA	2x(6.0) V	2x(2500.0) mA	200.0 100.0 mA
U3914000	115 V	115 V	6.0 V	6.0 V	1500.0 mA	1500.0 mA	2x(8.1) V	2x(2000.0) mA	200.0 100.0 mA
U3914001	115 V	115 V	7.5 V	7.5 V	1200.0 mA	1200.0 mA	2x(10.1) V	2x(1500.0) mA	200.0 100.0 mA
U3914002	115 V	115 V	9.0 V	9.0 V	1000.0 mA	1000.0 mA	2x(12.1) V	2x(1250.0) mA	200.0 100.0 mA
U3914003	115 V	115 V	12.0 V	12.0 V	750.0 mA	750.0 mA	2x(16.2) V	2x(800.0) mA	200.0 100.0 mA
U3914004	115 V	115 V	15.0 V	15.0 V	600.0 mA	600.0 mA	2x(20.2) V	2x(630.0) mA	200.0 100.0 mA
U3914005	115 V	115 V	18.0 V	18.0 V	500.0 mA	500.0 mA	2x(24.3) V	2x(630.0) mA	200.0 100.0 mA
U3914006	115 V	115 V	24.0 V	24.0 V	375.0 mA	375.0 mA	2x(32.4) V	2x(400.0) mA	200.0 100.0 mA
U3914507	115 V	115 V	4.5 V	4.5 V	2000.0 mA	2000.0 mA	2x(6.0) V	2x(2500.0) mA	200.0 100.0 mA
U3914500	115 V	115 V	6.0 V	6.0 V	1500.0 mA	1500.0 mA	2x(8.1) V	2x(2000.0) mA	200.0 100.0 mA
U3914501	115 V	115 V	7.5 V	7.5 V	1200.0 mA	1200.0 mA	2x(10.1) V	2x(1500.0) mA	200.0 100.0 mA
U3914502	115 V	115 V	9.0 V	9.0 V	1000.0 mA	1000.0 mA	2x(12.1) V	2x(1250.0) mA	200.0 100.0 mA
U3914503	115 V	115 V	12.0 V	12.0 V	750.0 mA	750.0 mA	2x(16.2) V	2x(800.0) mA	200.0 100.0 mA
U3914504	115 V	115 V	15.0 V	15.0 V	600.0 mA	600.0 mA	2x(20.2) V	2x(630.0) mA	200.0 100.0 mA
U3914505	115 V	115 V	18.0 V	18.0 V	500.0 mA	500.0 mA	2x(24.3) V	2x(630.0) mA	200.0 100.0 mA
U3914506	115 V	115 V	24.0 V	24.0 V	375.0 mA	375.0 mA	2x(32.4) V	2x(400.0) mA	200.0 100.0 mA



(Vista lado terminales)



#### Technical characteristics:

- Designed and manufactured according regulations EN61558 EN60590 EN60472 UL506 UL1585
- Two-chamber coil
- Vacuum sealed
- Safety transformer class II / Protection index IP00 (For all models with no load voltage lower than 50V according to EN61558, and to 30V according to UL1585)
- External protection with fuse (See suggested type at table)
- Self-extinguishing plastic UL94-VO
- Epoxy resin class F
- Isolation: Prim./Sec. = 10 MOhm to 500 Vcc - Sec./Sec. = 2 MOhm to 500 Vcc
- Dielectric strength Prim. / Sec. = 5 kV / 1min.
- Secondary voltage tolerances 5%
- Test at 100% of all electrical parameters in production
- Reliability tests for production batch (life term)
- Certificates of production test results (under request)
- Certifications VDE, UL (E346974); others certifications under request: CSA, SEMKO