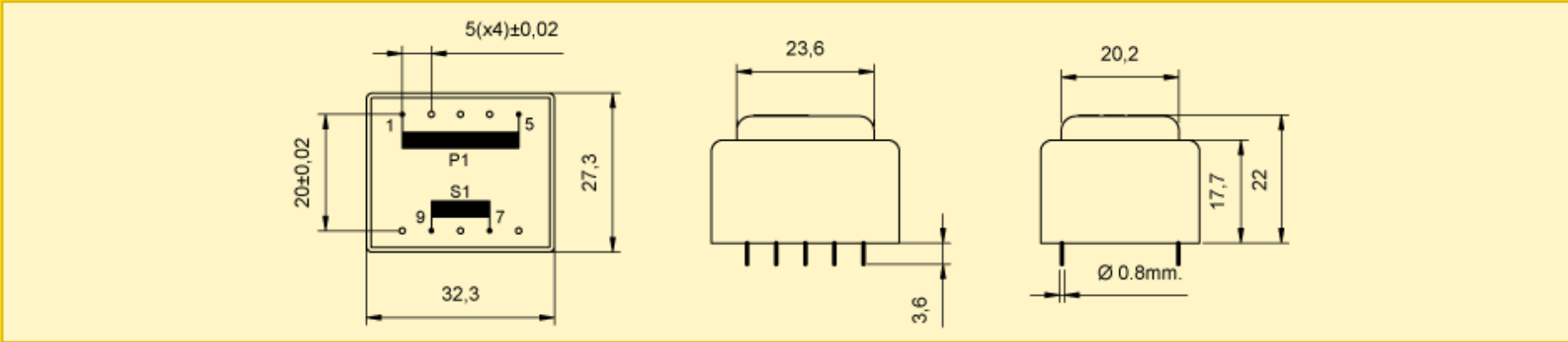


HR Ref.	Primary		Sec.		Sec. In		V _o (I _n =0)	Sec. Prot. CC (*)
	P1	P2	S1	S2	I _{s1}	I _{s2}		
E3011464	230 V	-	4.5 V	-	333.0 mA	-	7.65 V	CC
E3011450	230 V	-	6.0 V	-	250.0 mA	-	10.2 V	CC
E3011452	230 V	-	7.5 V	-	200.0 mA	-	12.75 V	CC
E3011454	230 V	-	9.0 V	-	167.0 mA	-	15.3 V	CC
E3011456	230 V	-	12.0 V	-	125.0 mA	-	20.4 V	CC
E3011458	230 V	-	15.0 V	-	100.0 mA	-	25.5 V	CC
E3011460	230 V	-	18.0 V	-	83.0 mA	-	30.6 V	CC
E3011462	230 V	-	24.0 V	-	63.0 mA	-	40.8 V	CC

(*) CC means short-circuit proof



Technical characteristics:

- Designed and manufactured according regulations EN61558 EN60590 EN60472 UL506 UL1585
- Two-chamber coil
- Vacuum sealed
- Safety transformer class II / Protection index IP00 (For all models with no load voltage lower than 50V according to EN61558, and to 30V according to UL1585)
- Short-circuit-protected
- Self-extinguishing plastic UL94-VO
- Epoxy resin class F
- Isolation: Prim./Sec. = 10 MOhm to 500 Vcc - Sec./Sec. = 2 MOhm to 500 Vcc
- Dielectric strength Prim. / Sec. = 5 kV / 1min.
- Secondary voltage tolerances 5%
- Test at 100% of all electrical parameters in production
- Reliability tests for production batch (life term)
- Certificates of production test results (under request)
- Certifications VDE, UL (E346974); others certifications under request: CSA, SEMKO