

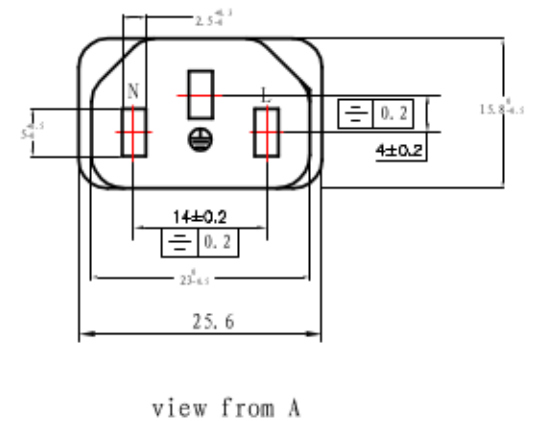
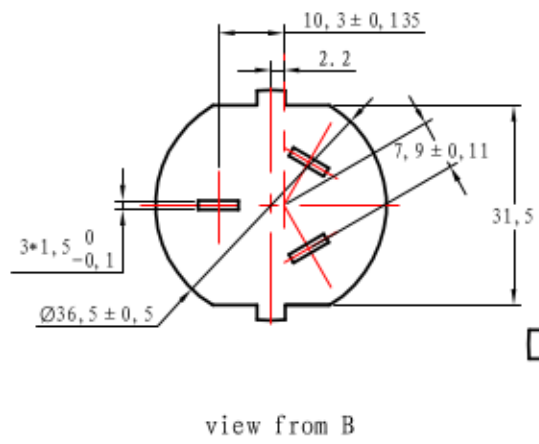


MARKING:  
 THE MARKING OF THE CORDS:  
 CCC A070286 60227 IEC 53 (RVV) 3 x 1.0 mm<sup>2</sup>  
 300/500V NINGBO JIANGFENG SUHUA YOUXIANGONGSI  
 THE MARKING OF THE PLUG:  M70286  
 PSB-10 10A 250V~ JF  
 THE MARKING OF THE CONNECTOR:  M70286  
 B-04 10A 250V~ JF



DIMENSIONS AND CHARACTERISTICS OF 1.0mm<sup>2</sup> CORD  
 RATED VOLTAGE : 300/500V  
 NUMBER OF CORE : 3  
 CONDUCTONS :  
 CONSTRUCTION : 32/0.2

3	1	PSB-10		
2	1	Cable 60227 IEC 53 (RVV) 3 x 1.0 mm <sup>2</sup> (black)		
1	1	B-04		
Itemref	Quantity	Title/Name, designation, material, dimension etc		Article No./Reference
Designed by	Checked by	APPROVED_BY_DATE	File name	Date 2012-05-24
DESIGNED_BY	CHECKED_BY		FILENAME	SCALE
JF-S. 3				Edition
				EDITION
				Sheet
				SHEET